

WETROOM DRAINS



Poured and Trowelled Floors

Poured floors are becoming increasingly popular in residential projects as they provide a seamless and waterproof surface - ideal for wetrooms.

Providing durable and long lasting flooring solutions as well as being extremely versatile, they are ideal for both commercial and residential projects.

Wetroom Materials supply drains which are designed for poured and trowelled floors as provided by Sphere8.



Solid coloured poured resin
EconoSphere®



Trowelled micro cement
MineralSphere®



Trowelled micro cement
smoothed **MineralSphere®**



Blended colour poured resin
HomeSphere®



Faux Terrazzo effect resin
BrecciaSphere Lite®



True Terrazzo trowelled resin
BrecciaSphere®

To see all design options contact Sphere8



Technical information

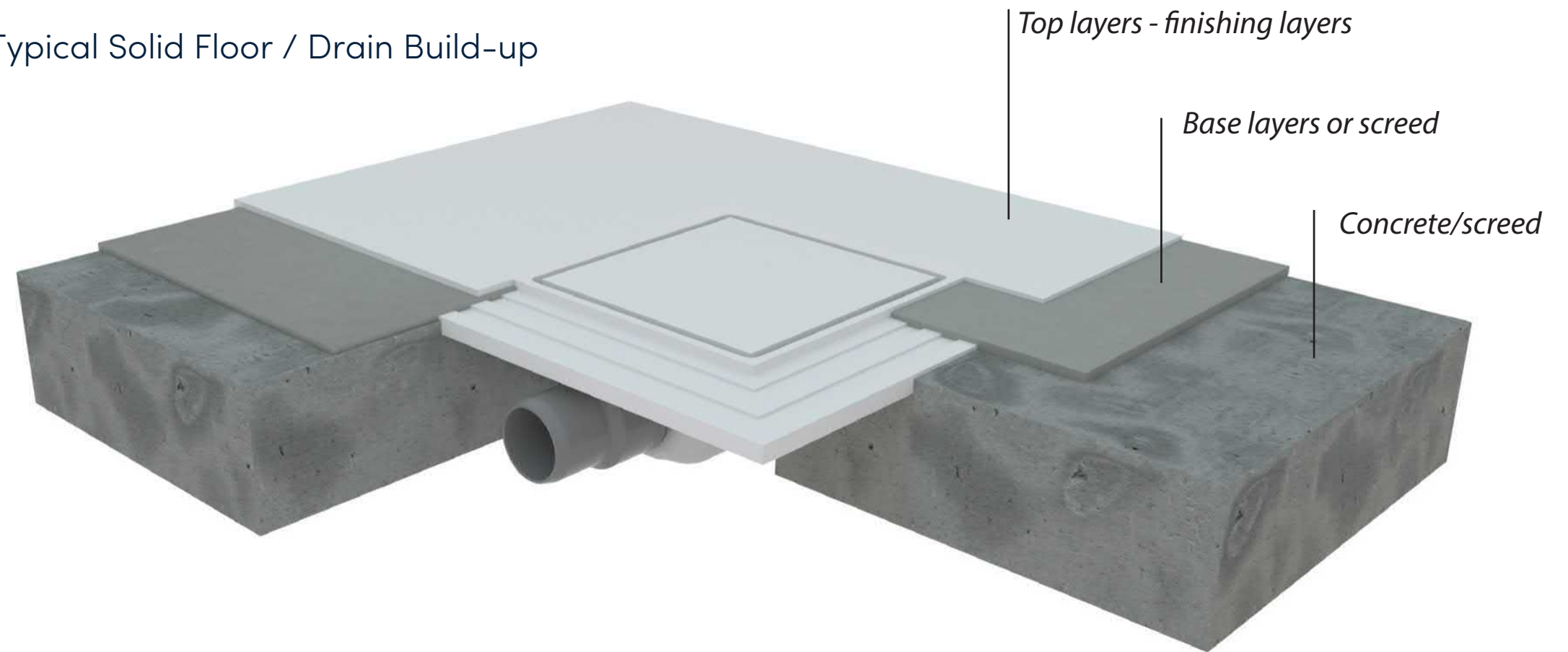
Unique design for poured floors providing great flexibility.

Works with floor finishes as little as 1mm.

Allows you to apply poured floor finish on to the drain for a seamless look

Simple installation

Typical Solid Floor / Drain Build-up



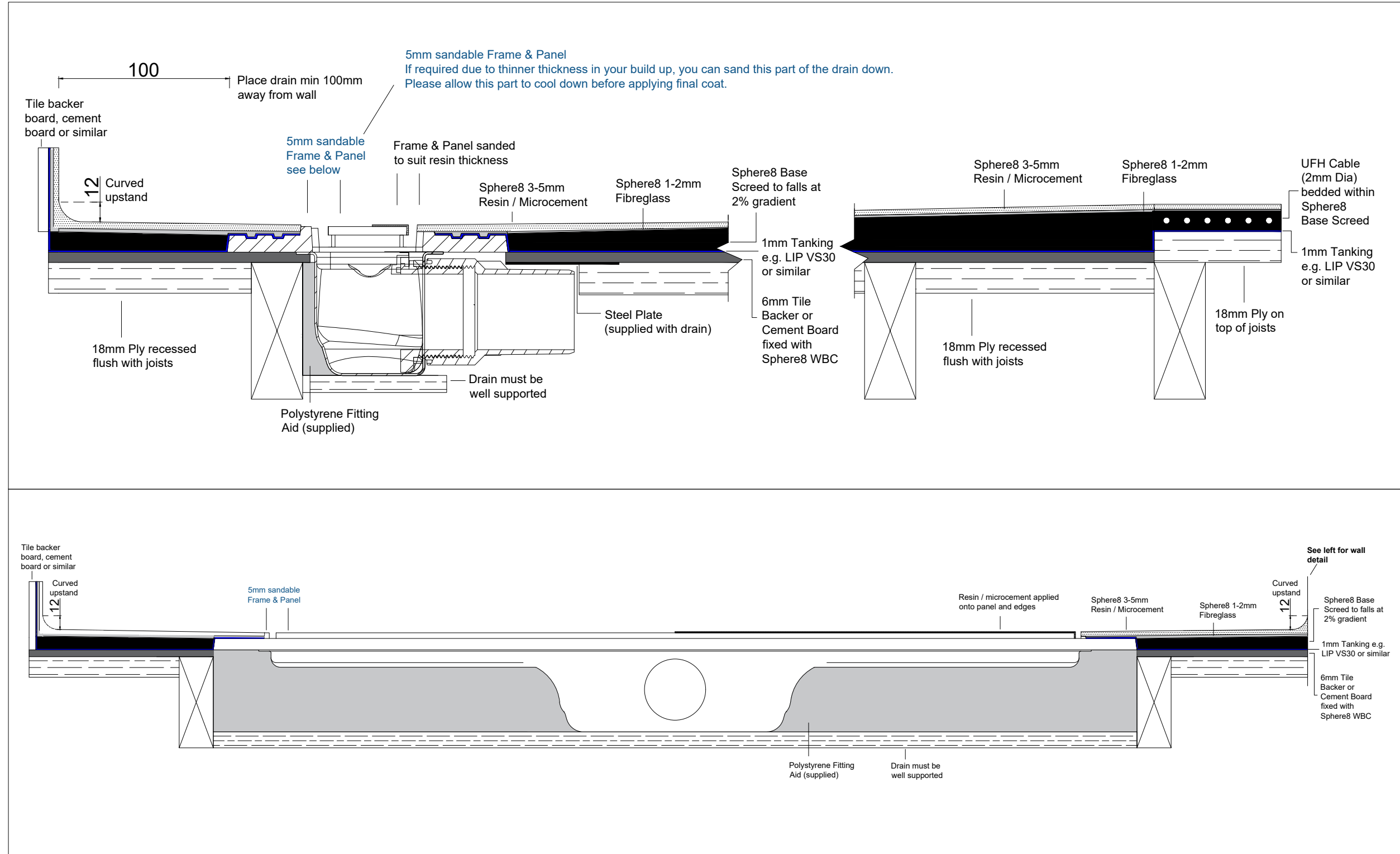
Technical information

Unique design for poured floors providing great flexibility.

Works with floor finishes as little as 1mm.

Allows you to apply poured floor finish on to the drain for a seamless look

Simple installation



For more information about drains, contact WM | Wetroom Materials
sales@wetroommaterials.com
 01332840820

PourFlex® | Linear

An innovative linear drain, designed specifically for poured floors as provided by Sphere8. This is a ground breaking design to cater for the requirements of poured floors. PourFlex® allows you to alter the height of the drain to suit the floor thickness.



100% WATERPROOF



10 YEAR WARRANTY



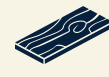
EASY INSTALLATION



EASY TO CLEAN



UNDERFLOOR HEATING

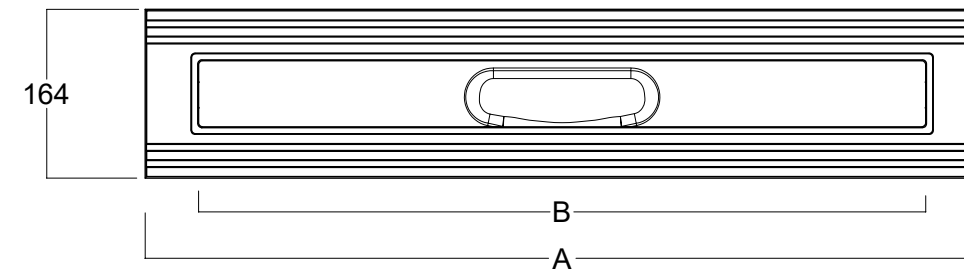


WOODEN FLOOR

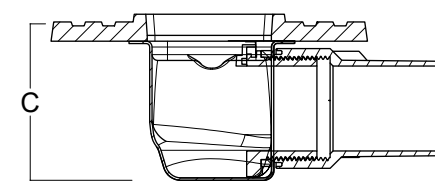


CONCRETE FLOOR

Plan View



Side View



Model No.	Structural Length (A)	Visual Length (B)	Drain Depth (C)	Drain Width (D)	Kit Order Ref
700	813	700	90	164	SDPF.0700
800	913	800	90	164	SDPF.0800
900	1013	900	90	164	SDPF.0900

Kit Includes

- 32 Litres Per Minute Linear Drain
- 1½" Connection
- 50mm Water Seal PourFlex® Panel Fitting Aid to support drain



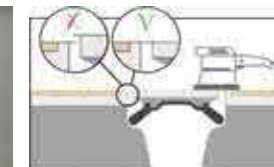
Technical



Plumb in drain



Waterproof



Adjust to floor



Create fall



Pour floor



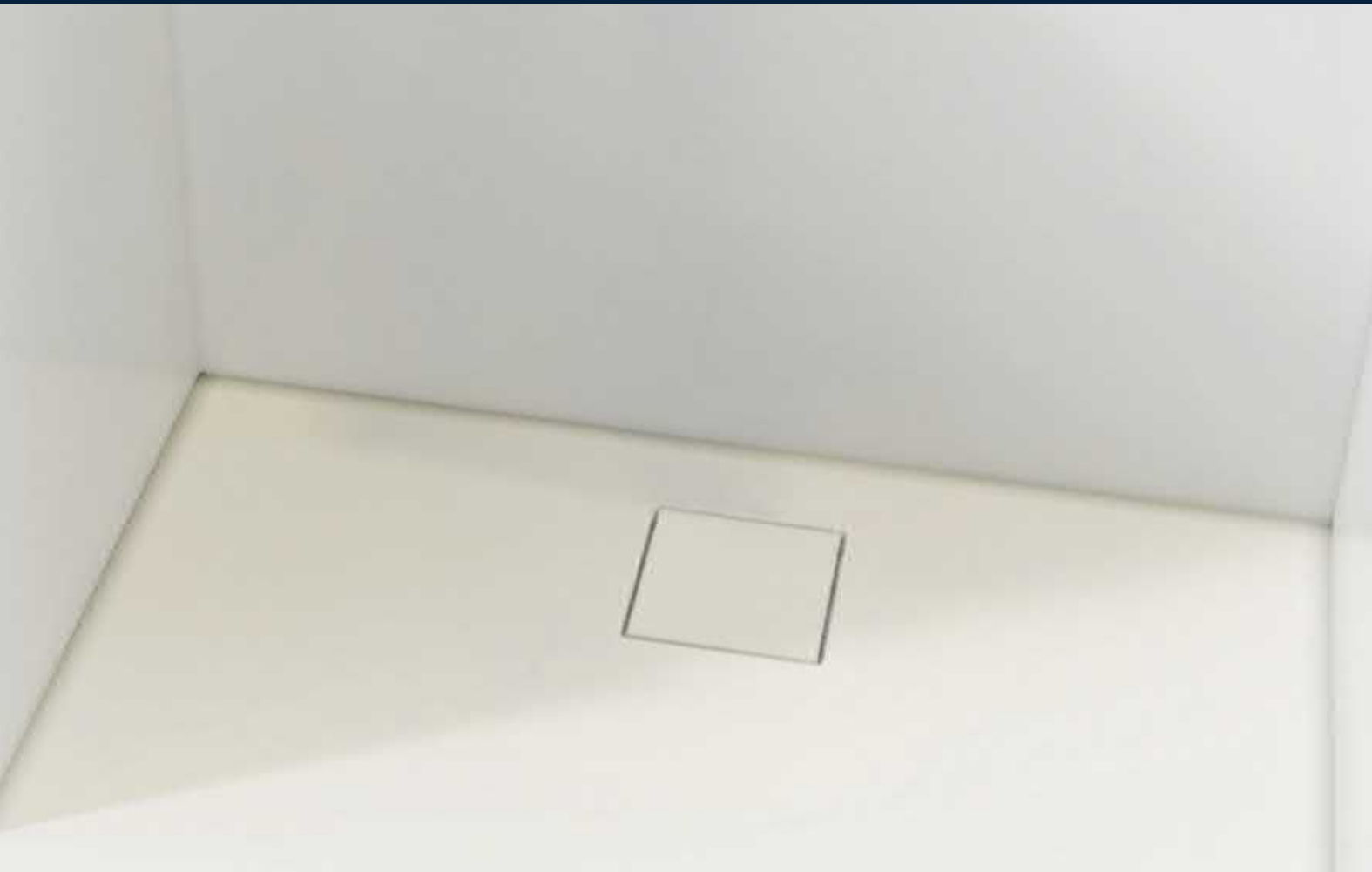
For more information about drains, contact WM | Wetroom Materials
sales@wetroommaterials.com
 01332840820



Cleaning Hook
 Order Ref
 WM1840.0000

PourFlex® | Square

An innovative square drain, designed specifically for poured floors as provided by Sphere8. This is a ground breaking design to cater for the requirements of poured floors. PourFlex® allows you to alter the height of the drain



100% WATERPROOF



10 YEAR WARRANTY



EASY INSTALLATION



EASY TO CLEAN



UNDERFLOOR HEATING

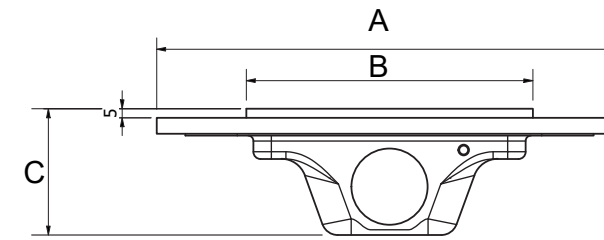


WOODEN FLOOR



CONCRETE FLOOR

Technical Information



Model No.	Structural Length (A)	Visual Length (B)	Drain Depth (C)	Kit Order Ref
260	260	160	66	SDPS.0160

Kit Includes

- 24 Litres Per Minute Square Drain
- 1½" Connection
- Water Seal PourFlex® Panel
- Fitting Aid to support drain



For more information about drains, contact WM | Wetroom Materials
sales@wetroommaterials.com
 01332840820

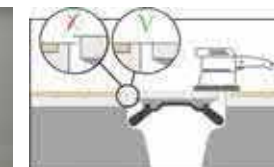
Technical



Plumb in drain



Waterproof



Adjust to floor



Create fall



Pour floor



Cleaning Hook
 Order Ref
 WM1840.0000

SharpDrain® | Circle

Minimum floor depth (76mm) plastic horizontal drain which can be installed anywhere in a wetroom or be used as secondary drainage. Perfect for areas that have little floor depth available. The clamping ring securely holds the resin in place. Available with a white plastic or brushed stainless steel grate.



100% WATERPROOF



10 YEAR WARRANTY



EASY INSTALLATION



EASY TO CLEAN



UNDERFLOOR HEATING

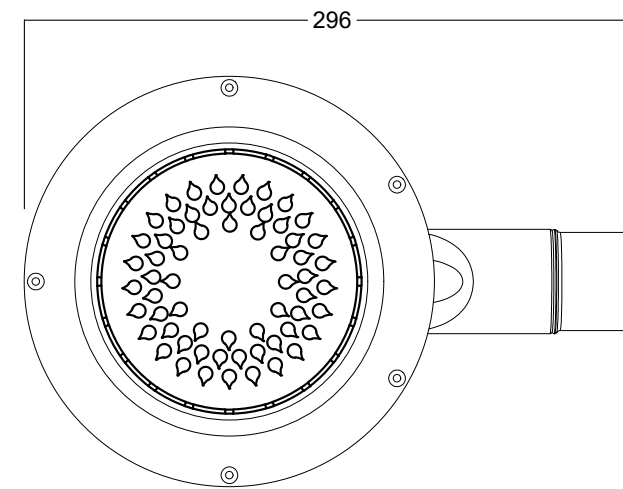


WOODEN FLOOR

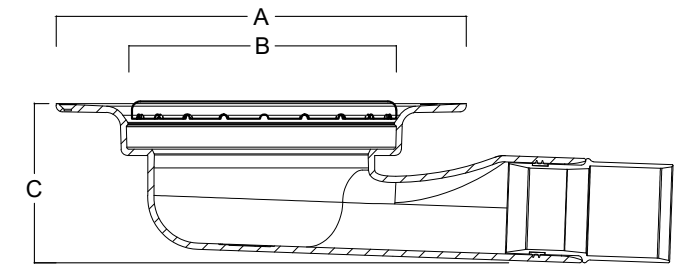


CONCRETE FLOOR

Plan View



Side View



Model No.	Structural Length (A)	Visual Length (B)	Drain Depth (C)	Plastic Grate Kit Order Ref	Steel Grate Kit Order Ref
76	197	130 x 130	76	SDSD.0076PGV	SDSD.0076SGV

Kit Includes

- 48 Litres Per Minute Drain with Clamping Ring
- 1½" Connection
- Anti Odour Barrier
- Plastic or Steel Grate



For more information about drains, contact WM | Wetroom Materials
sales@wetroommaterials.com
 01332840820

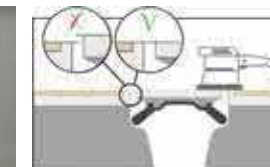
Technical



Plumb in drain



Waterproof



Adjust to floor



Create fall



Pour floor



Mounting Set
 Order Ref
 SDMS



Cleaning Hook
 Order Ref
 WM1840.0000

